

MINI BACK BOX WITH ISOLATION



VERTICAL SLANT POCKET



PROUDLY MADE IN THE U.S.A.

REVISIONS

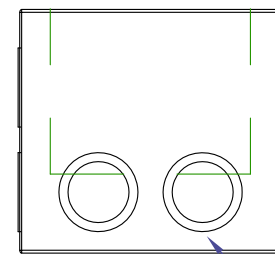
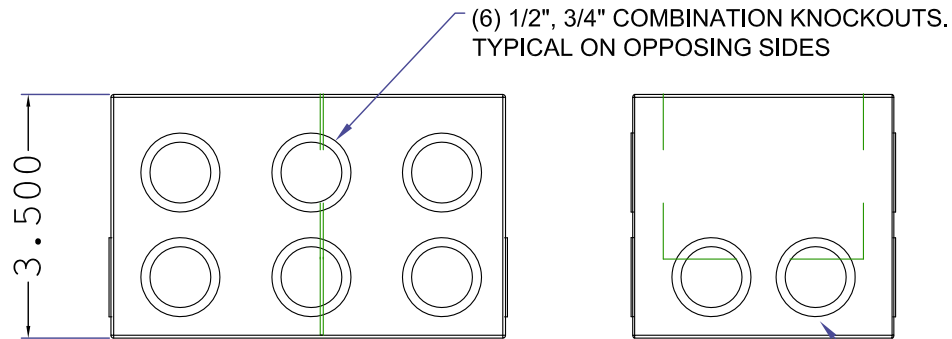
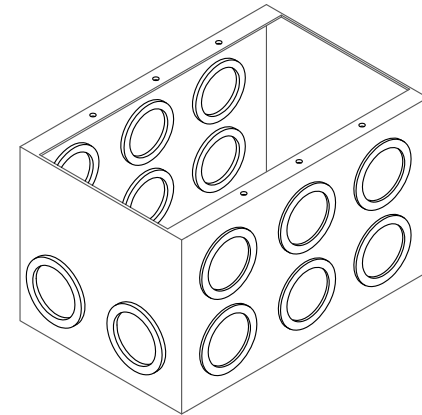
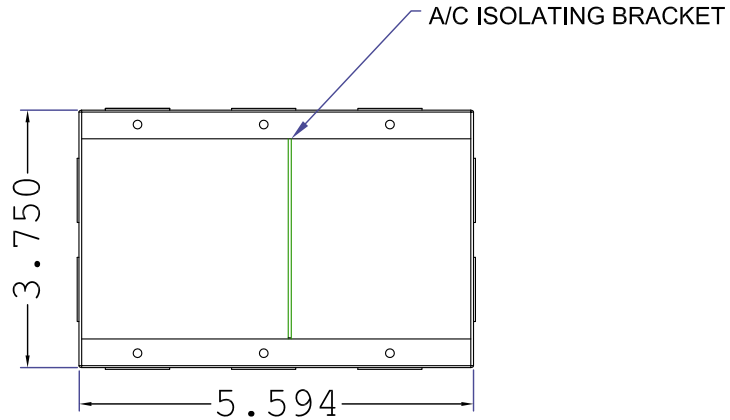
REV

DESCRIPTION

DATE



ACE BACKSTAGE CO., INC. - STAGE POCKET SYSTEMS
 24846 Avenue Rockefeller . Suite 200 . Valencia, CA 91355
 Tel: 661-295-5760 . Fax: 661-295-1122 . Web: www.acebackstage.com



APPROVALS	DATE
DRAWN JM	08/04/11
CUSTOMER APPROVAL	



ALL DIMENSIONS ARE FOR REFERENCE ONLY. UNLESS OTHERWISE SPECIFIED ALL DIMENSIONS ARE IN INCHES.

MATERIAL
 BACK BOX: GALVANIZED STEEL
 BRACKET: 16 GAUGE GALVANEAL

ITEM: **025BBX/AC**

DESCRIPTION:
 3-GANG BACK BOX WITH ISOLATION BRACKET.
 FOR USE WITH MINI POCKET. USE WHEN INSTALLING
 HIGH AND LOW VOLTAGE IN THE SAME POCKET.

REV **1**
 SHEET 1 OF 1